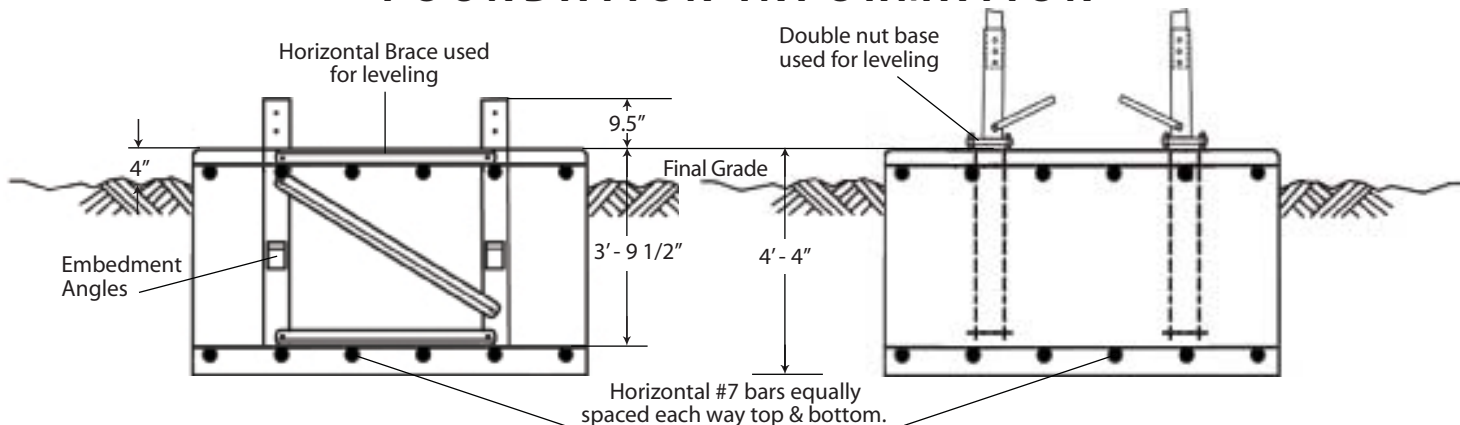


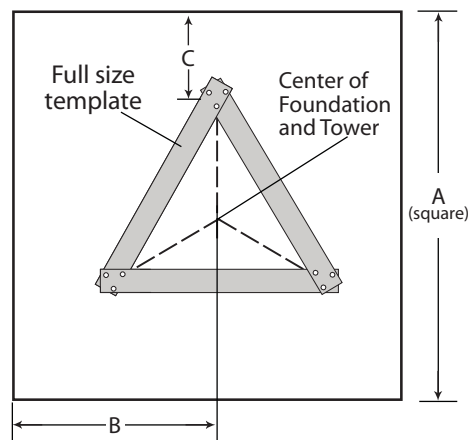
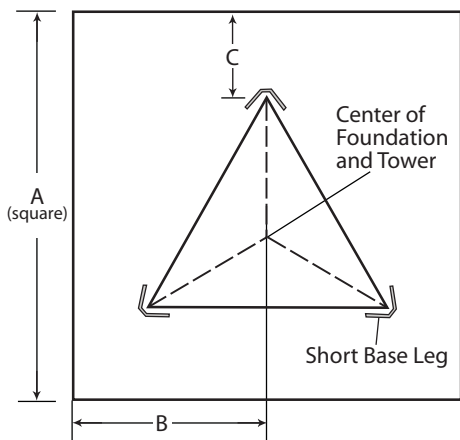


### FOUNDATION INFORMATION



**SHORT BASE**

**ANCHOR BASE**



Anchor base option includes: full-size template, anchor bolt lower template, anchor bolts and leg stubs.

**SHORT BASE**  
(Ordered separately from tower)

**STANDARD FOUNDATION INFORMATION**  
(Used with short base and anchor base options)

**ANCHOR BASE**  
(Ordered separately from tower)

Short Base Section
RSB02
RSB03
RSB04
RSB05
RSB06
RSB07
RSB08
RSB09
RSB10

Tower Base Section	Dimensions			Concrete (Cu. Yds)	No. 7 Bars Req.
	A	B	C		
2	7'-6"	3'-9"	2'-5"	9.0	32
3	7'-9"	3'-10 1/2"	2'-5"	9.6	40
4	8'-0"	4'-0"	2'-5"	10.3	40
5	8'-3"	4'-1 1/2"	2'-5"	10.9	40
6	8'-6"	4'-3"	2'-4"	11.6	40
7	8'-6"	4'-3"	2'-3"	11.6	40
8	9'-6"	4'-9"	2'-7"	14.5	40
9	9'-9"	4'-10 1/2"	2'-7"	15.3	48
10	10'-0"	5'-0"	2'-7"	16.0	48

Leg Stubs & Anchors
RAL02
RAL03
RAL04
RAL05
RAL06
RAL07
RAL08
RAL09
RAL10

Standard foundations illustrated are for general information purposes only. Actual details are provided with tower assembly drawings.